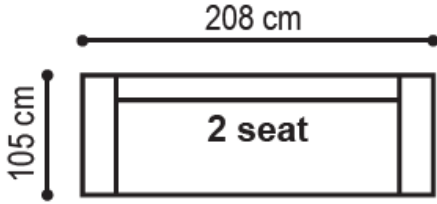
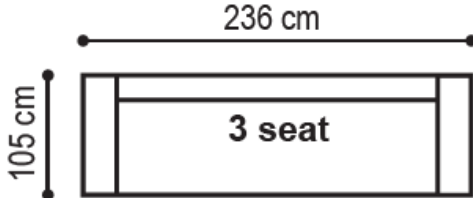
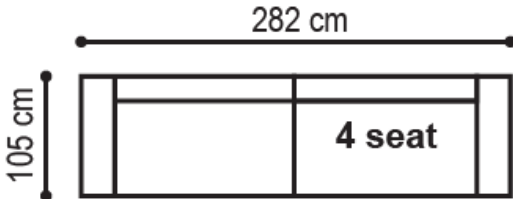
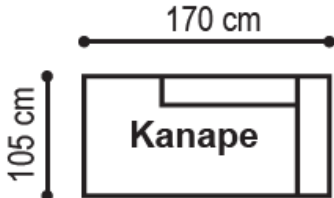
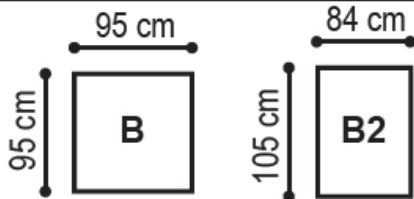
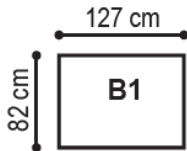
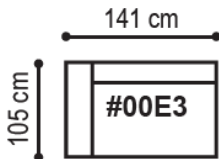
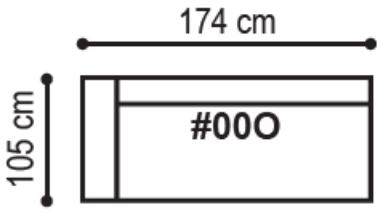
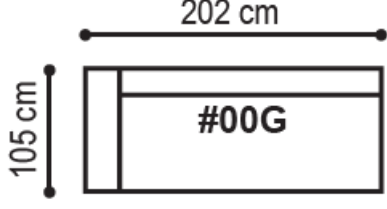
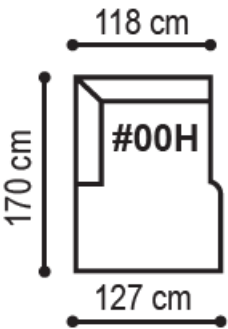
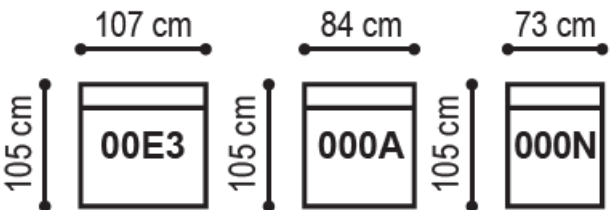
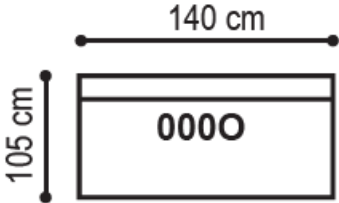
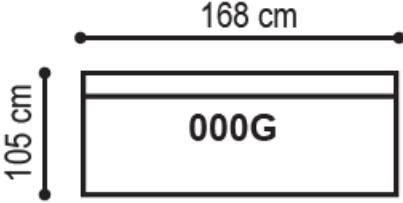
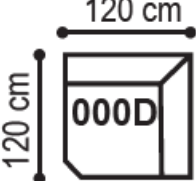


| Nr.                                 | Schema  | Išmatavimai<br>Plotis x gylis x aukštis           |
|-------------------------------------|---|---|
| 1. 2-ietė sofa                      |    | <b>208 x 105 x 68 cm</b>                          |
| 2. 3-ietė sofa                      |    | <b>236 x 105 x 68 cm</b>                          |
| 3. 4-ietė sofa<br>(iš dviejų dalių) |    | <b>282 x 105 x 68 cm</b>                          |
| 4. Kanapė<br>(kairė/dešinė)         |  | <b>170 x 105 x 68 cm</b>                          |
| 5. Pufas B<br>6. Pufas B2           |  | <b>95 x 95 x 42 cm</b><br><b>84 x 105 x 42 cm</b> |

|                                     |   |                          |  |
|-------------------------------------|---|--------------------------|--|
| 7. Pufas B1                         |  | <b>127 x 82 x 42 cm</b>  | Gr. 1: 580 €<br>Gr. 2: 615 €<br>Gr. 3: 650 €<br>Gr. 4: 720 €     |
| 8. 1-ietė sofa<br>(su k/d porankiu) |  | <b>141 x 105 x 68 cm</b> | Gr. 1: 1110 €<br>Gr. 2: 1145 €<br>Gr. 3: 1180 €<br>Gr. 4: 1240 € |

| Nr.                                  | Schema  | Išmatavimai<br>Plotis x gylis x aukštis                   |
|--------------------------------------|---|---|
| 9. 2-ietė sofa<br>(su k/d porankiu)  |    | 174 x 105 x 68 cm   |
| 10. 3-ietė sofa<br>(su k/d porankiu) |    | 202 x 105 x 68 cm   |
| 11. Šezlongas<br>(su k/d porankiu)   |   | 118/127 x 170 x 68 cm                                     |
| 12. 1-ietė sofa<br>(be porankiu)     |  | 107 x 105 x 68 cm<br>84 x 105 x 68 cm<br>73 x 105 x 68 cm |

|   |   |                                 |
|---|---|---------------------------------|
| <p>13. 2-ietē sofa<br/>(be porankiņū)</p> |  <p>A rectangular diagram representing a 2-seater sofa. The width is labeled as 140 cm and the depth as 105 cm. The model number '000O' is centered inside the rectangle.</p>  | <p><b>140 x 105 x 68 cm</b></p> |
| <p>14. 3-ietē sofa<br/>(be porankiņū)</p> |  <p>A rectangular diagram representing a 3-seater sofa. The width is labeled as 168 cm and the depth as 105 cm. The model number '000G' is centered inside the rectangle.</p>  | <p><b>168 x 105 x 68 cm</b></p> |
| <p>15. Kampas</p>                         |  <p>A diagram representing a corner sofa. It is a square shape with a diagonal line indicating the corner. The width and depth are both labeled as 120 cm. The model number '000D' is centered inside the square.</p> | <p><b>120 x 120 x 68 cm</b></p> |